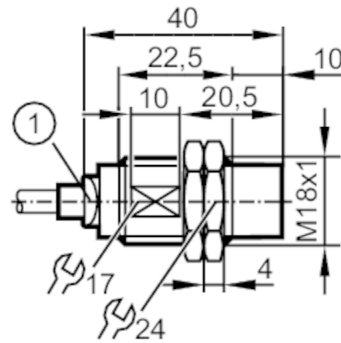


IGS711



Inductive sensor

IGB2012-ARKG/2M/PUR/UP



1 LED yellow



Product characteristics

Electrical design	PNP/NPN
Output function	normally open
Sensing range [mm]	12
Housing	threaded type
Dimensions [mm]	M18 x 1 / L = 40

Application

Special feature	Drag chain suitability; Increased sensing range
Application	Industrial applications / factory automation

Electrical data

Operating voltage [V]	10...30 DC; ("supply limited voltage / current" to UL)
Protection class	III
Reverse polarity protection	yes

Outputs

Electrical design	PNP/NPN
Output function	normally open
Max. voltage drop switching output DC [V]	5
Minimum load current [mA]	2
Max. leakage current [mA]	0.6
Permanent current rating of switching output DC [mA]	100
Switching frequency DC [Hz]	300
Short-circuit protection	yes
Overload protection	yes

Detection zone

Sensing range [mm]	12
Real sensing range Sr [mm]	12 ± 10 %
Operating distance [mm]	0...9.72
Increased sensing range	yes

IGS711



Inductive sensor

IGB2012-ARKG/2M/PUR/UP

Accuracy / deviations		
Correction factor	steel: 1 / stainless steel: 0.7 / brass: 0.5 / aluminium: 0.4 / copper: 0.3	
Hysteresis [% of Sr]	3...15	
Switch point drift [% of Sr]	-10...10	
Operating conditions		
Ambient temperature [°C]	-40...85	
Protection	IP 65; IP 66; IP 67; IP 68; IP 69K	
Tests / approvals		
EMC	EN 61000-4-2 ESD	4 kV CD / 8 kV AD
	EN 61000-4-3 HF radiated	10 V/m
	EN 61000-4-4 Burst	2 kV
	EN 61000-4-6 HF conducted	10 V
	EN 55011	class B
Vibration resistance	EN 60068-2-6 Fc	20 g (10...3000 Hz) / 50 sweep cycles, 1 octave per minute, in 3 axes
Shock resistance	EN 60068-2-27 Ea	100 g 11 ms half-sine; 3 shocks each in every direction of the 3 coordinate axes
Continuous shock resistance	EN 60068-2-27	40 g 6 ms; 4000 shocks each in every direction of the 3 coordinate axes
Fast temperature change	EN 60068-2-14 Na	TA = -40 °C; TB = 85 °C; t1 = 30 min; t2 = < 10 s; 50 cycles
Salt spray test	EN 60068-2-52 Kb	severity level 5 (4 test cycles)
MTTF [years]	899	
Embedded software included	yes	
UL approval	Ta	-25...75 °C
	Enclosure type	Type 1
	power supply	Limited Voltage/Current
	UL Approval no.	A007
	File number UL	E174191
Mechanical data		
Weight [g]	83.7	
Housing	threaded type	
Mounting	non-flush mountable	
Dimensions [mm]	M18 x 1 / L = 40	
Thread designation	M18 x 1	
Materials	brass white bronze coated; sensing face: PBT orange; LED window: PEI; lock nuts: brass white bronze coated	
Tightening torque [Nm]	see operating instructions	
Drag chain suitability	yes	
Drag chain suitability	bending radius for flexible use	min. 10 x cable diameter
	bending cycles	> 5 Mio.
Displays / operating elements		
Display	switching status	1 x LED, yellow
Accessories		
Items supplied	lock nuts: 2	
	Tooth lock washer: 1, stainless steel	

IGS711



Inductive sensor

IGB2012-ARKG/2M/PUR/UP

Remarks

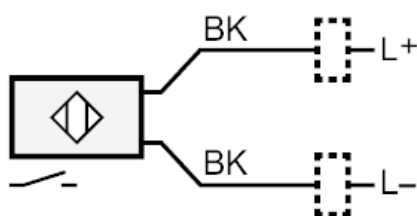
Pack quantity

1 pcs.

Electrical connection

Cable: 2 m, PUR; 2 x 0.34 mm²

Connection



BK =

Core colours :
black